



COMBINES PROVEN THINPREP® IMAGING TECHNOLOGY AND SLIDE REVIEW INTO A SINGLE DEVICE

Use ThinPrep imaging technology to standardize your cytology review.

Imaging

- Each slide is imaged in approximately 90 seconds
- Every cell and cell cluster on the slide is scanned
- Coordinates of the top 22 largest and darkest objects are identified and stored.

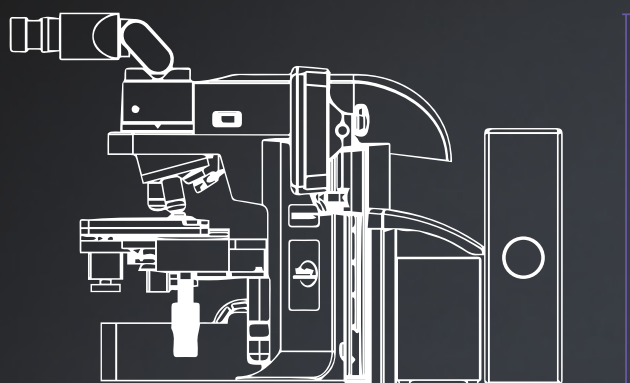
Added Convenience

- The review scope can be used as a conventional microscope saving valuable bench space
- User friendly touch screen and ergonomic stage and review controls
- Automated fiducial mark alignment saves time and increases accuracy
- Automated post scan functional checks to ensure integrity of data

Review

- Behaves as an automated microscope, presenting the 22 fields of view (FOVs)
- Dual review process combines human expertise with the power of computer imaging to deliver a superior solution for your lab
- If abnormal cells are identified, the entire slide must be reviewed
- If the 22 FOVs are normal, slide can be signed out as negative
- By concentrating on abnormal cases, the cytotechnologist (CT) can screen more efficiently.

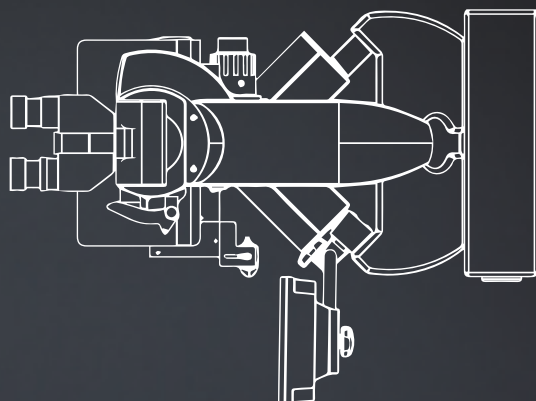
SIDE VIEW



46 cm
(18 in)

68 cm
(27 in)

TOP VIEW



56 cm
(22 in)

68 cm
(27 in)

THINPREP® INTEGRATED IMAGER SPECIFICATIONS



| | |
|-----------------------|---|
| Dimensions | Width: 56 cm/22 in Height: 46 cm/18 in Depth: 68 cm/27 in |
| Weight | 31 kg/68 lbs |
| Operating Temperature | 16° – 32° C/60° – 90° F |
| Operating Humidity | 20% - 80% RH non-condensing |
| Electrical Voltage | 100 – 120V/220 – 240V single phase |
| Frequency | 50 – 60 Hz +/- 10% |

Diagnostic Solutions | Hologic.com | euinfo@hologic.com